

BG2-126/144

The BG2 combines the advantages of a counterbalanced forklift with exceptional maneuverability. The result is a versatile task support vehicle that performs a broad range of material handling functions.

CAPACITY

- 2,000 lb (907 kg) at 24" LC on forks
- 300 lb (136 kg) operators compartment

BATTERY INFORMATION

- Minimum battery weight: 700 lb (318 kg)
- Compartment dimensions: 32" x 11" x Open
- Connector: Anderson 175 Grey – A-11

MAXIMUM LIFT HEIGHT

- 132" operator platform, 126" forks

MAXIMUM SPEED

- **TRAVEL:** Variable from 0 mph to 4.5 mph
- **LIFT:** Up to 42 fpm

WEIGHT

- 3,500 lb (1,588 kg)

TIRES / WHEELS

- **DRIVE:** (1) 9" x 3" polyurethane
- **STABILITY:** (2) 3" x 2" polyurethane
- **LOAD WHEELS:** (2) 6.5" x 4.7" polyurethane

ELECTRICAL

- Dual 24-volt ZAPI ACO travel and power steering controllers
- LCD dashboard displays hour meter, battery state, travel speed, and travel direction indicator
- AC drive motor
- Low-maintenance brushless design
- Selectable travel speed settings

BRAKES

- Regenerative braking when coasting and plug braking
- Electromagnetic parking brake

OPERATION / CONTROLS

- Ergonomic fingertip control for travel, lift, and lower functions
- Roomy operator compartment with ergonomic floormat, forward and backrest cushion
- Retractable compartment guard rails keep the operator secure
- On/off key switch and horn



MAST

- Heavy-duty I-beam design
- Steel mast channels and side mounted lift cylinders

CHASSIS

- Three-point chassis design
- 180° drive motor steering arc
- Powerhead mounted stability casters mounted on powerhead

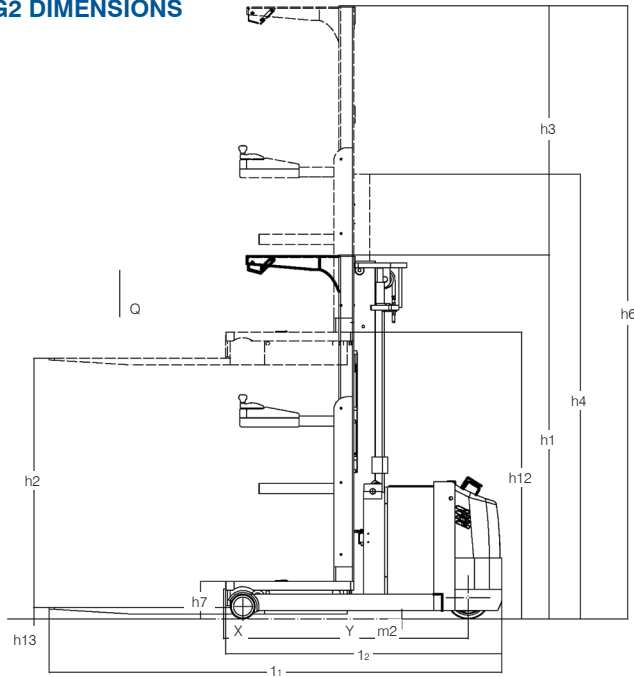
STANDARD EQUIPMENT

- Non-marking tires
- Rear flashing light
- Battery compartment rollers
- 42" forks with pallet clamp
- Overhead guard

OPTIONAL EQUIPMENT

- 12-volt accessory power supply
- 24-volt industrial battery
- 24-volt external charger

BG2 DIMENSIONS



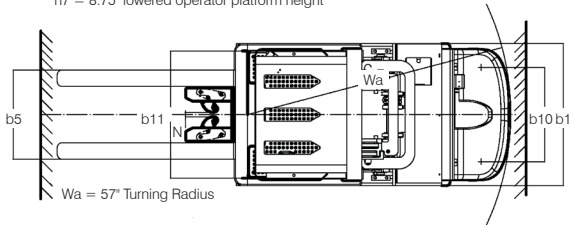
OPERATOR CONTROLS



Left Hand
360° Tiller Steering



Right Hand
Travel, Lift, Lower, Key Switch and Controls



Model#	Mast	Lift Height		Col Height		Extended Height		Overall Width		Overall Length		Weight (Chassis Only*)	
		h2 + h3	3,200mm	h1	2,273mm	h4	5,359mm	b3 / b1	864mm	L1	2,743mm		
BG2-126	Two Stage	126"	3,200mm	89.5"	2,273mm	211"	5,359mm	34.0"	864mm	108.0"	2,743mm	2,610 lb	1,184 kg
BG2-144	Two Stage	144"	3,658mm	94"	2,388mm	230"	5,842mm	34.0"	864mm	108.0"	2,743mm	3,800 lb	1,724 kg

* Estimated shipping weight without battery.