

COMBi-LR

Live Receiving Model

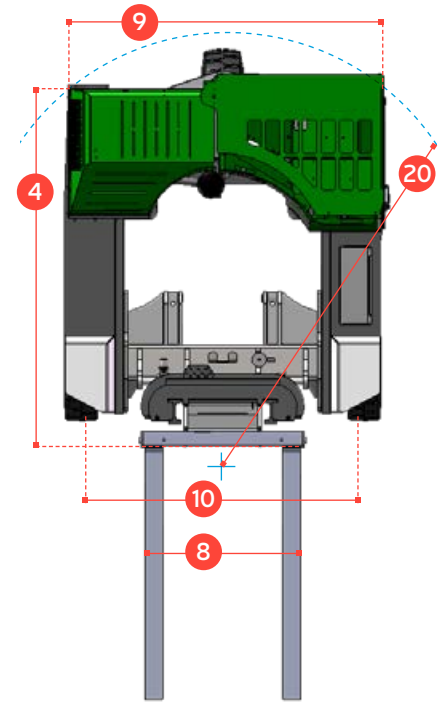
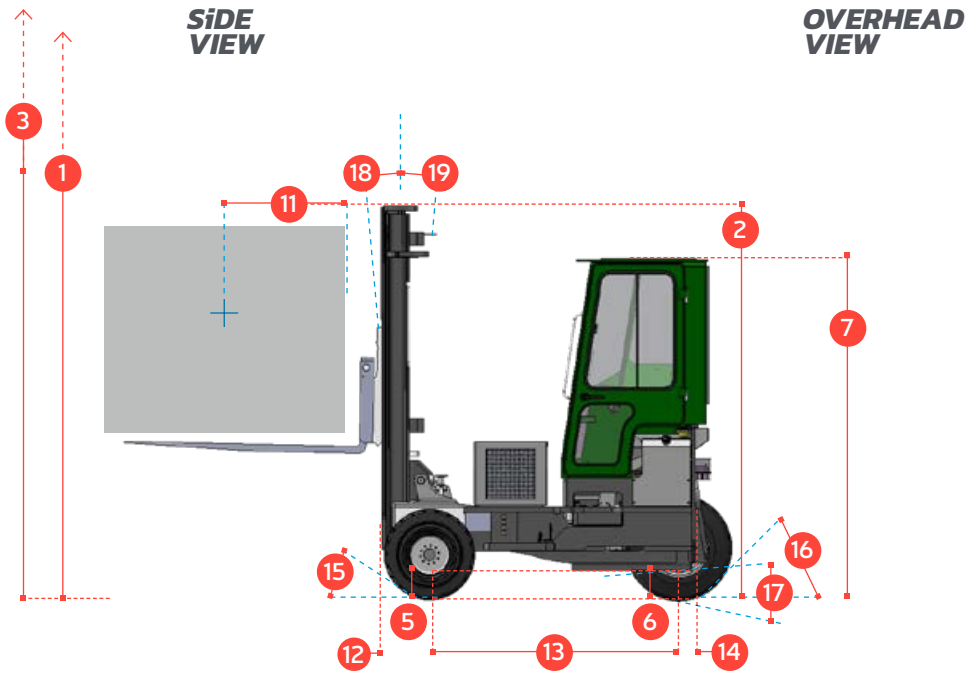
COMBiLiFT

LIFTING INNOVATION

The Combi-LR is based on the highly successful and reliable C-series multi-directional forklifts. The offset driving position provides the ideal view of the cage while a very small turning radius makes for excellent maneuverability.



COMBi-LR



REF.	DESCRIPTION	Standard
1a	Max. Lift Height	127"
1b	Freelift Height	0"
2	Height Mast Closed	101"
3	Max. (Mast raised)	172"
4	Length From Face of Fork	103"
5	Ground Clearance Under Mast	11"
6	Ground Clearance to Centre of Wheelbase	11"
7	Height Over Cab (Without work lights)	102"
8	Outside Spread of Fork Arms	39"
9	Width	89"
10	Track Front	78"
11	Load Centre Distance	47"
12	Overhang Front	19"
13	Wheelbase	74"
14	Overhang Back	11"
15	Approach Angle	45°
16	Ramp Angle	36°
17	Departure Angle	45°
18	Forward Tilt	6°
19	Backward Tilt	8°
20	Minimum Outside Radius	91"
21	Capacity	5500 lbs
22	Unladen Weight	14100 lbs
23	Maximum Ground Speed	15 km/h
24	Gradeability	15%
25	Kubota V2403 T Diesel / 3ltr GM LPG	44 kW / 48 kW

A	Electrics	12 Volt
B	Fork Section	2" x 5" x 72"
C	27 x 10 - 12 Front Tyre	OD 27" / Width 10"
D	355 / 65 - 15 Rear Tyre	OD 31" / Width 11"
E	Standard Colour	Green & Grey

Features Include:

- Hydraulic Oil Cooler
- Load Sensing Steering
- 3 Wheel Hydrostatic Drive
- +/- 100mm Side Shift
- +/- 3° Rotating Carriage
- Front Rubber Mounted Cabin
- Rear Hydraulic Mounted Cabin

Benefits Include:

- Small Turning Radius
- Operates Indoor and Outdoors
- Reduced Maintenance Costs
- No Mechanical Brakes
- Minimised Tyre Spin
- Visibility
- Offset Driving Position Gives Excellent View of Poultry Cage

Distributed by:

COMBILIFT HAS A POLICY OF CONTINUOUS PRODUCT DEVELOPMENT AND RESERVES THE RIGHT TO ALTER SPECIFICATIONS WITHOUT PRIOR NOTICE. SPECIFICATIONS AND/OR DIMENSIONS MAY VARY FROM THOSE ILLUSTRATED IN SOME COUNTRIES.